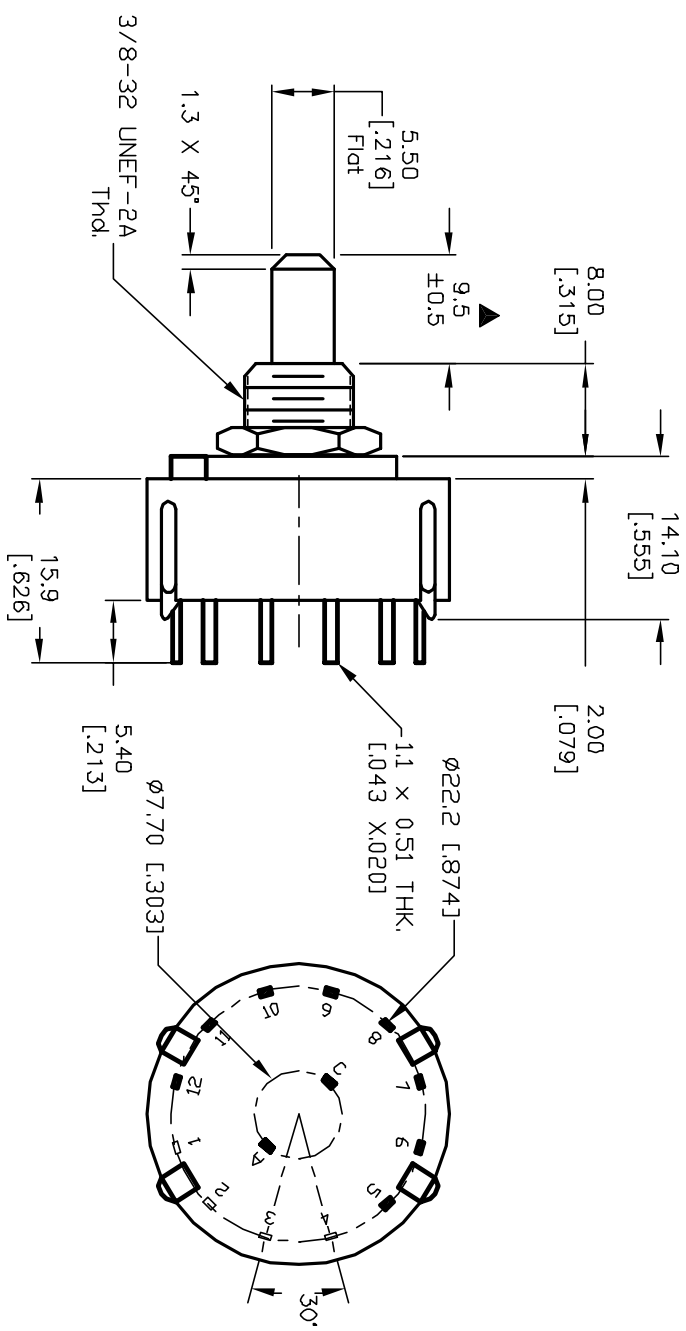
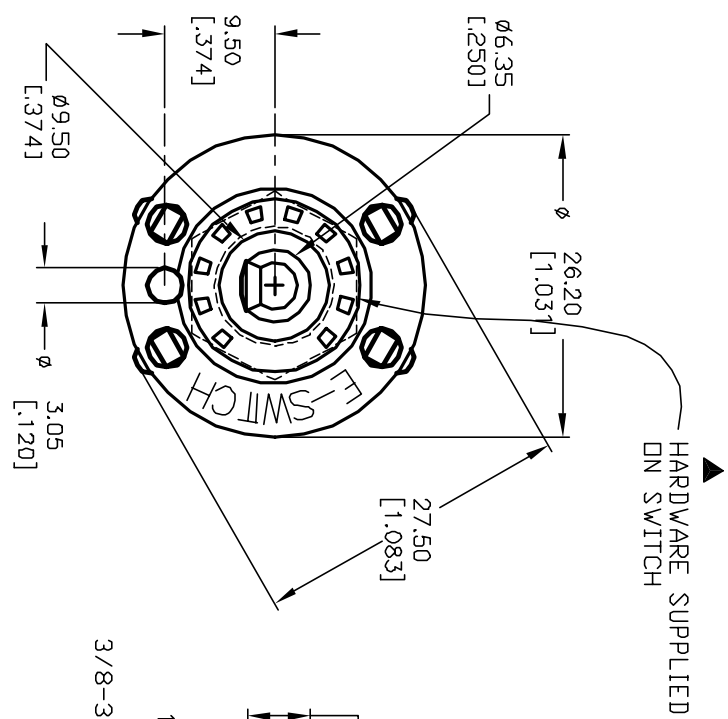
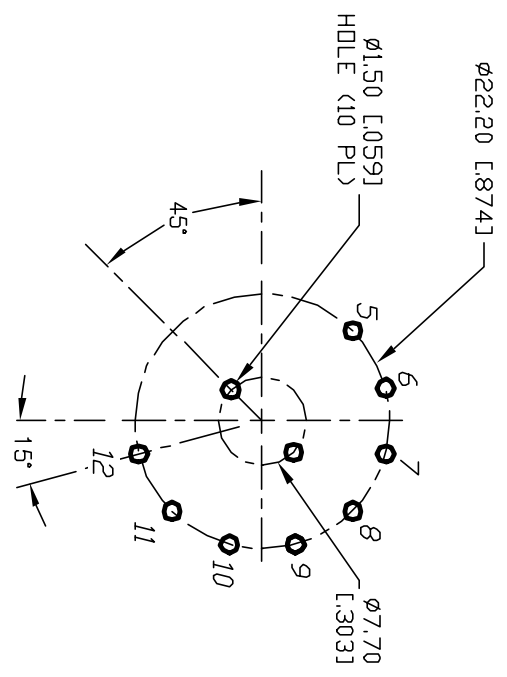
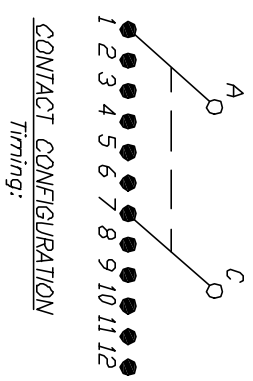


- NOTES:
1. ALL DIMENSION IN MM [INCH]
  2. GENERAL TOLERANCE: X.X=±0.4  
X.XX=±0.25
  3. TERM. NOS. FOR REF. ONLY
  4. CONTACT RATING SWITCHING: 150mA, 250V AC/DC  
350mA, 110V AC/DC
  5. CONTACT RATING (NON-SWITCHING) 5A
  6. OPERATING FORCE: 425±100 CM/STANDARD
  7. OPERATING TEMP: -30° to 85°C
  8. CIRCUIT DP: 6 POSITIONS, 30° INDEX.
  9. DIELECTRIC STRENGTH 1000V RMS min. @ SEA LEVEL
  10. DESIGNATE MAJOR DIMENSIONS
  11. HARDWARE SUPPLIED ON SWITCH - SEE BELOW  
STOPRING, LOCKWASHER, & HEXNUT



C		12821	REVISED NOTE 11	CJB	TITLE	KC-26 (06-114960)			REV
B		11361	REVISED SCHEMATIC	CJB	SCALE	1.5:1	DR	CJB	C
REV.		ECN No.	DESCRIPTION	CHKD	DATE	5/30/01	DWG	G510899	
THE INFORMATION CONTAINED IN THIS DOCUMENT IS PROPRIETARY TO E-SWITCH AND IS NOT TO BE COPIED OR TRANSFERRED									

**E-SWITCH®**